

PMD2

VERY HIGH PERFORMANCE MULTI-ZONE METAL DETECTOR

- **Very High Threat Detection Uniformity** over the whole transit area
- **Very High Tolerance to personal metal items** (Low Nuisance Alarm Rate)
- **Exceptional Immunity** to Environmental Interference
- **Highly Visible Displays** - Single or Multiple Location of weapons in transit via vertical illuminated display
- Fast programming through an exclusive **Chip Card System**
- **Local or Remote Programming** with networking capabilities



FOR FIXED AND PORTABLE USE



CHIP CARD SYSTEM:
AUTOMATIC CALIBRATION
OF SECURITY STANDARDS



AVAILABLE IN PANEL
OR COLUMN VERSION

ADVANCED TECHNOLOGY FOR ENHANCED WEAPONS LOCATION

PMD2, acronym for Programmable Metal Detector, is **the most advanced CEIA application with an international patent of its own**. It generates an electromagnetic scanning field for the detection of metallic weapons inside a monitored passage.

Due to this technology, the PMD2 Metal Detector accurately pinpoints location of weapons on individuals during transit resulting in accelerated search process. ▶

A "height on person" display actually indicates, by means of illuminated LED's, the position of the weapon. The location zones are not fixed, as in the case of metal detectors with multiple receiver-transmitter coils, but variable and continuous to achieve optimum resolution.

The PMD2 Metal Detector is recommended for use in all high security applications where the maximum degree of protection is required, combined with a substantial flow of people and

the minimum number of alarms due to personal metal items.

The PMD2 is available in panel (PMD2/PTZ) or column (PMD2/ENZ) version. An outdoor column version, PMD2/EWZ, is offered with an IP65 degree of protection. The PMD2 is manufactured using the most advanced electronics technology, conforming to ISO 9001 Quality Control Standard procedures.

MAIN FEATURES

DETECTION OF MAGNETIC, NON-MAGNETIC AND MIXED ALLOY METAL WEAPONS

HIGH TRANSIT FLOW-RATE thanks to the discrimination of personal metal items

IMMEDIATE SELECTION OF INTERNATIONAL SECURITY STANDARDS

PROGRAMMABLE OPERATION controlled by microprocessor

PROGRAMMING via built-in keypad and display or RS-232 serial connection to Remote Control Unit (RCU2), a PC or a computer network

PROGRAMMING ACCESS protected by both a mechanical lock and two alphanumeric passwords

HIGH DETECTION SPEED: up to 15 m/s (45 ft/s)

EXCEPTIONAL IMMUNITY to electromagnetic and mechanical interference

MULTIPLE INSTALLATIONS: automatic synchronisation between two or more metal detectors with a reciprocal distance of down to 5 cm (2") without the use of cables

HIGH-INTEGRATION PROFESSIONAL ELECTRONICS and maximum reliability

CONTROL UNIT incorporated into the detector

NO INITIAL OR PERIODIC CALIBRATION

EASY MAINTENANCE: modular control unit for a rapid replacement

Colour: light grey RAL 7040

INSTALLATION DATA

POWER SUPPLY: 115 / 230 VAC, ±15%, 50 ÷ 60 Hz, 30 VA max

EXTERNAL INTERFACE: RS-232C for connection to a Remote Control Unit (RCU2), a terminal, a computer, an external modem or other CEIA Metal Detectors

PROTECTION DEGREE Indoor Model: IP20 - IEC529

Outdoor Model: IP65 - IEC529

OPERATING TEMPERATURE: -20°C to +70°C

STORAGE TEMPERATURE: -35°C to +70°C

RELATIVE HUMIDITY: 0 to 95% (without condensation)

ALARM MODES

VISIBLE SIGNALS Multi-zone display bar for "height on person" localization

High intensity display

Green and red metering signals proportional to the mass of the object detected

AUDIBLE SIGNALS High acoustic intensity alarm signal

Volume and tone of alarm signal can be programmed

CERTIFICATION AND CONFORMITY

Complies with Regulations relating to pacemakers, defibrillators or other vital support systems, pregnant women and magnetic storage media (floppy disks, audio cassettes, video cassettes and similar)

Conforms to the current International Security Standards for Walk-Through Metal Detectors

Complies with EC Regulations and International Standards relating to Electrical Safety and Electromagnetic Compatibility (EMC)

ACCESSORIES / OPTIONS

CHIP CARD SYSTEM: automatic calibration of Security Levels

RCU2: the console provides complete remote control of CEIA Walk-Through Metal Detector functions



MDNC-1: Ethernet network interface for CEIA Metal Detectors

MBSU-1 Unit is a portable device designed to supply CEIA Metal Detectors in outdoor applications or in situations where mains power supply is unavailable



METAL DETECTOR DIVESTING TABLE



RRU (Remote Relay Unit)

PHOTOCELL TRANSIT COUNTER and automatic alarm rate calculation



OUTDOOR VERSION, waterproof degree IP65

EMERGENCY BATTERIES

MD SCOPE: software for oscilloscope simulation and terminal operation on CEIA MDs

STABILIZING PLATES (only for column models)



TRANSPORT CASE FOR CEIA ELLIPTIC METAL DETECTOR GATE



UNDER THE ALARM THRESHOLD

Small metal mass
Medium metal mass

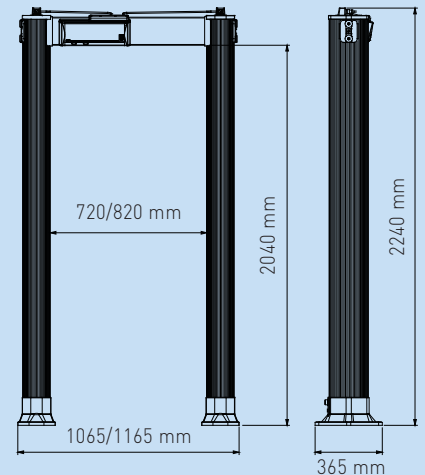
OVER THE ALARM THRESHOLD

Medium metal mass
Large metal mass

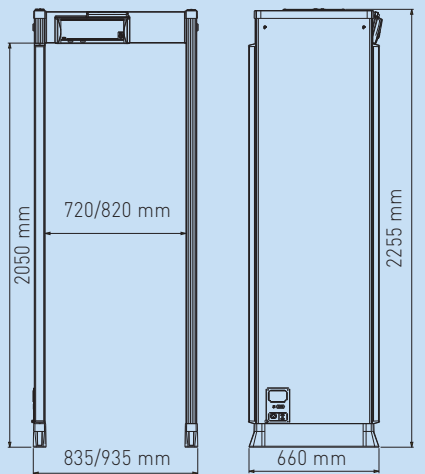
GREEN AND RED METERING SIGNALS PROPORTIONAL TO THE METAL MASS DETECTED

DIMENSIONS

COLUMN MODEL (PMD2/ENZ - PMD2/EWZ)



PANEL MODEL (PMD2/PTZ)



APPLICATION FIELDS

- AMUSEMENT PARKS
- COURTS
- CRUISE SHIPS
- DATA PROCESSING CENTERS (EDP)
- EMBASSIES
- HOTELS
- INDUSTRY (SECURITY)
- NIGHT CLUBS
- NUCLEAR FACILITIES (SECURITY)
- PUBLIC EVENTS
- PUBLIC OFFICES



Zona Industriale 54/G, 52041 Vicinaggio - Arezzo (ITALY)
Tel.: +39 0575 4181 Fax: +39 0575 418298 E-mail: infosecurity@ceia-spa.com